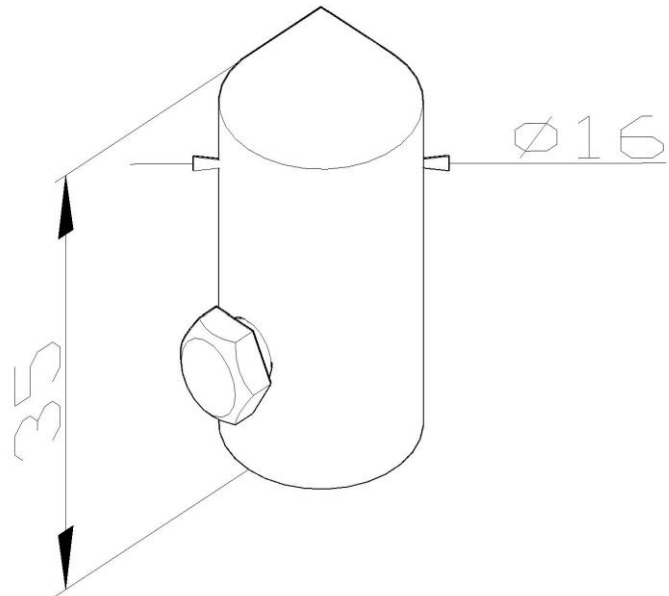


Product: LOV Lightning protection nib

Product code: 300397



<b>Standard:</b>	EN IEC 62561-2:2018 : Lightning Protection System Components (LPSC) - Part 2: Requirements for conductors and earth electrodes
<b>Dimensions:</b>	Length: 16 mm
	Width: 16 mm
	Height: 35 mm
	Diameter:
	Conductor dimensions: 8-10 mm
<b>Weight:</b>	
<b>Material:</b>	Aluminium