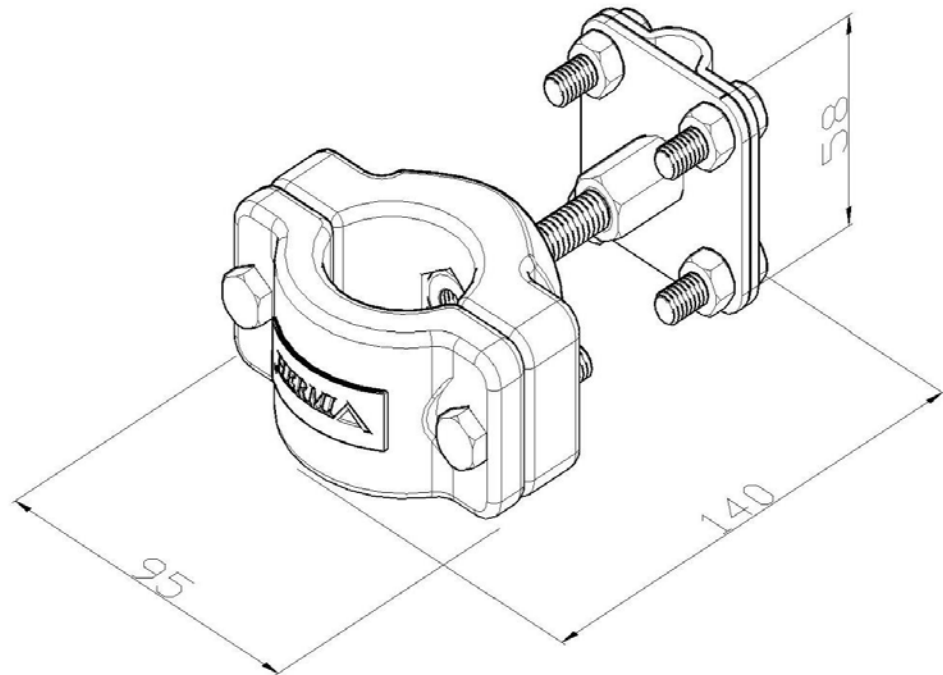


Product: LOP P36

Product code: 300217

Attachment element for the placement of interception rods



Standard:	EN IEC 62561-2:2018: Lightning Protection System Components (LPSC) - Part 2: Requirements for conductors and earth electrodes
Dimensions:	Length: 140 mm
	Width: 95 mm
	Height: 58 mm
	Diameter:
	Weight:
Material:	Stainless steel - aluminium