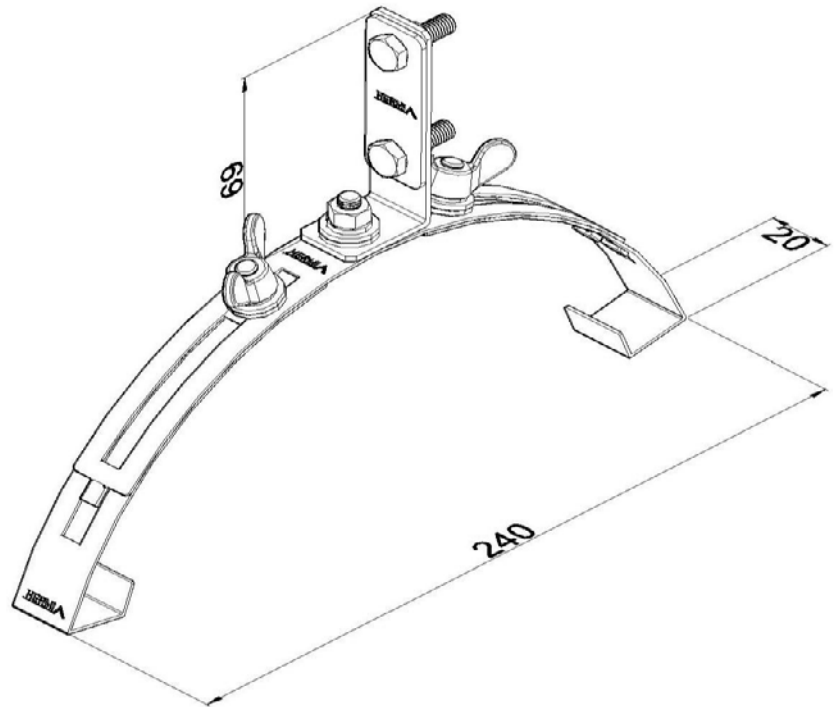


Product: SON02

Product code: 2326

Roof ridge conductor fastener



Standard:	EN 62561-4:2017: Lightning protection system components (LPSC) - Part 4: Requirements for conductor fasteners
Dimensions:	Length: 240 mm
	Width: 20 mm
	Height: 69 mm
	Conductor diameter: P 20x3 mm
Material:	Weight:
	Copper