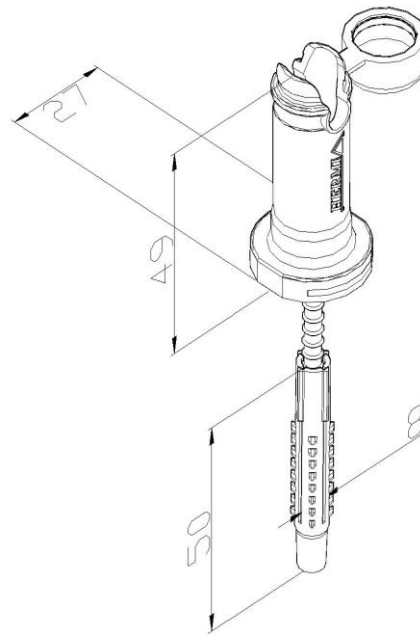


**Product:** ZON03 N-N brown  
22333

**Product code:**

Wall conductor fastener



<b>Standard:</b>	EN 62561-4:2017: Lightning protection system components (LPSC) - Part 4: Requirements for conductor fasteners
<b>Dimensions:</b>	Length: 27 mm
	Width: 27 mm
	Height: 49 mm
	Conductor diameter: $\phi 8$ mm
	Screw length: 50 mm
	Wall plug diameter: $\phi 8$ mm
<b>Material:</b>	Weight: 0,02 kg
	Nylon