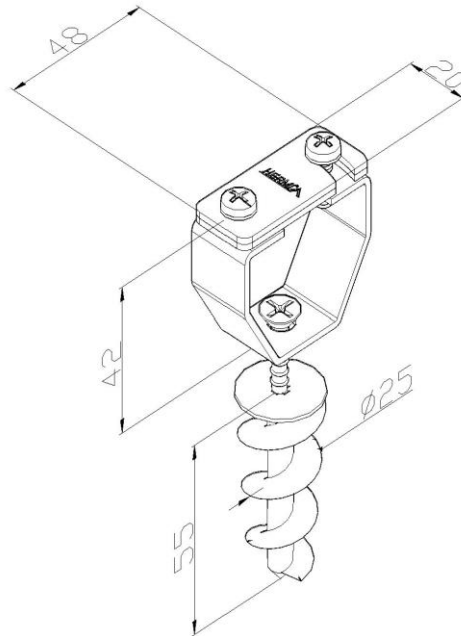


Product: ZON09

Product code: 22309

Wall conductor fastener



Standard:	EN 62561-4:2017: Lightning protection system components (LPSC) - Part 4: Requirements for conductor fasteners
Dimensions:	Length: 48 mm
	Width: 20 mm
	Height: 42 mm
	Conductor diameter: PL 25x3
	Screw length: 55 mm
	Wall plug diameter: $\phi 25$ mm
Material:	Stainless steel