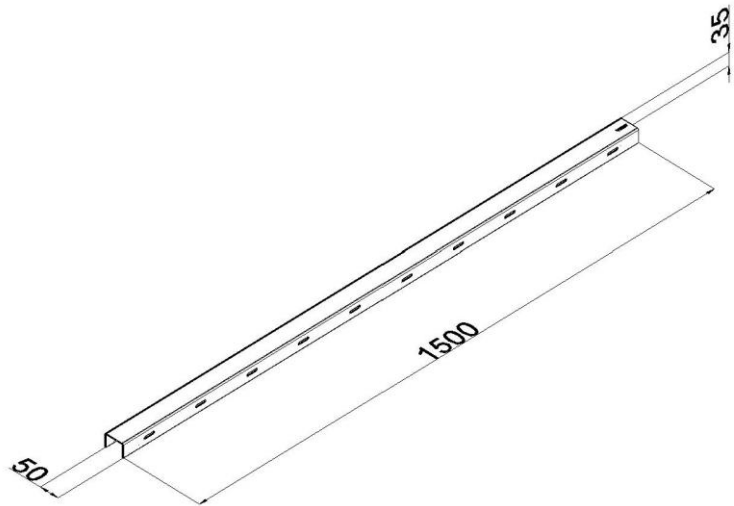


Product: VZ Bare protection frames white

Product code: 20

Bare protection frames



Standard:	EN 62561-4:2017: Lightning protection system components (LPSC) - Part 4: Requirements for conductor fasteners
Dimensions:	Length: 1500 mm
	Width: 50 mm
	Height: 35 mm
	Screw length:
	Wall plug diameter:
Material:	Weight: 1,4 kg
	Stainless steel/resistant synthetic material