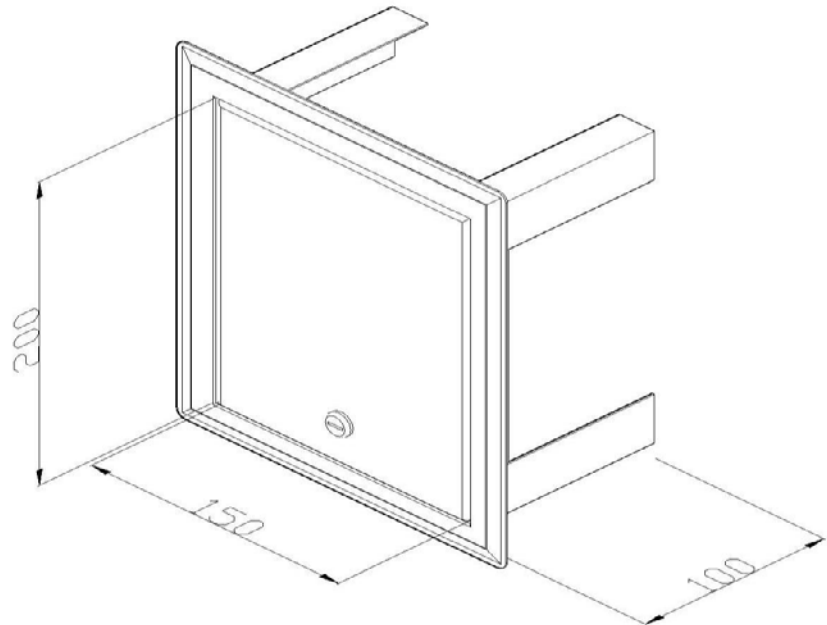


Product: ZON05

Product code: 20722

In-wall measuring cabinet made in one piece



Standard:	EN 62561-5:2017: Lightning protection system components (LPSC) - Part 5: Requirements for earth electrode inspection housings and earth electrode seals
Dimensions:	Length: 150 mm
	Height: 200 mm
	Depth: 100 mm
	Weight: 0,92 kg
Material:	Stainless steel/resistant synthetic material