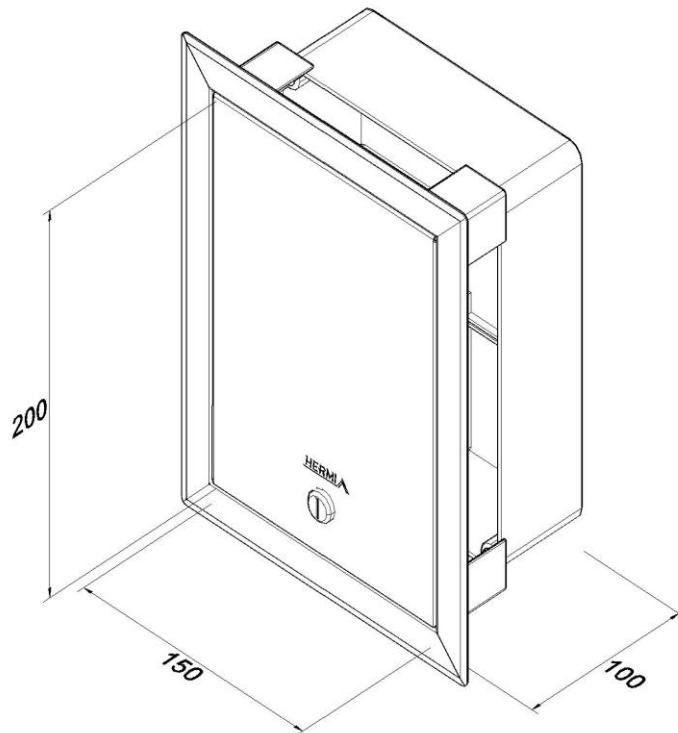


Product: ZON05 A

Product code: 20538

In-wall measuring cabinet made of the frame and cover of te cabinet



Standard:	EN 62561-5:2017: Lightning protection system components (LPSC) - Part 5: Requirements for earth electrode inspection housings and earth electrode seals
Dimensions:	Length: 150 mm
	Height: 200 mm
	Depth: 100 mm
	Weight: 0,8 kg
Material:	Resistant synthetic material/stainless steel