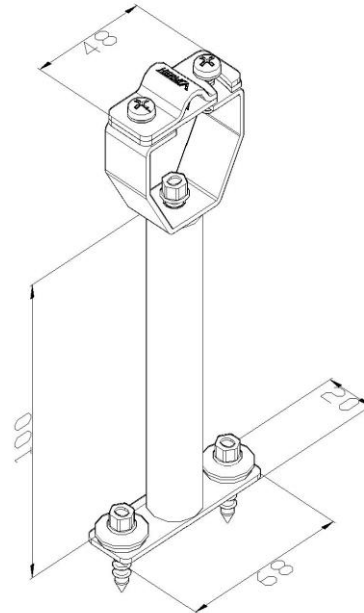


Product: ZON04 P

Product code: 20433

Wall conductor fastener



<b>Standard:</b>	EN 62561-4:2017: Lightning protection system components (LPSC) - Part 4: Requirements for conductor fasteners
<b>Dimensions:</b>	Length: 68 mm
	Width: 20 mm
	Height: 100 mm
	Conductor diameter: $\phi 8-10$ mm
	Wall plug diameter:
<b>Weight:</b>	0,14 kg
<b>Material:</b>	Stainless steel