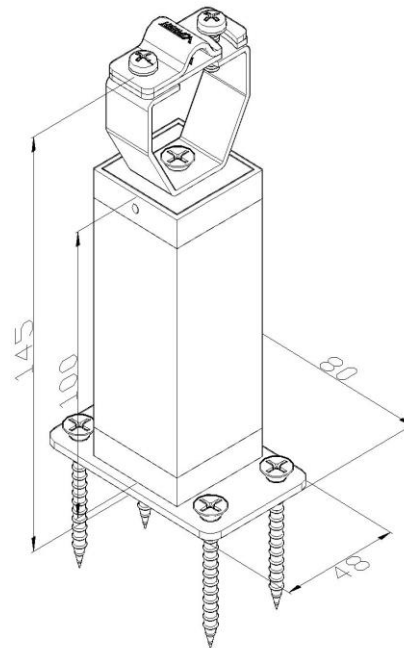


Product: ZON04 L

Product code: 20432

Wall conductor fastener



<b>Standard:</b>	EN 62561-4:2017: Lightning protection system components (LPSC) - Part 4: Requirements for conductor fasteners
<b>Dimensions:</b>	Length: 48 mm
	Width: 80 mm
	Height: 145 mm
	Conductor diameter: $\phi 8-10$ mm
	Screw length:
	Wall plug diameter:
	Weight: 0,29 kg
<b>Material:</b>	Wood - stainless steel