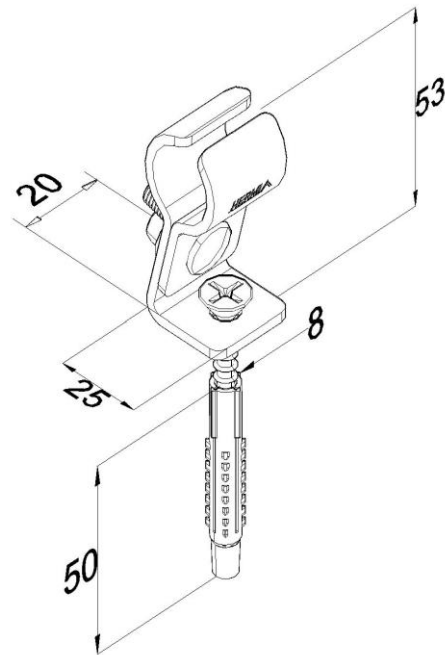


Product: ZON20

Product code: 20360

Wall conductor fastener



Standard:	EN 62561-4:2017: Lightning protection system components (LPSC) - Part 4: Requirements for conductor fasteners
Dimensions:	Length: 20 mm
	Width: 25 mm
	Height: 53 mm
	Conductor diameter: $\phi 20$ mm
	Screw length: 50 mm
	Wall plug diameter: $\phi 8$ mm
Material:	Stainless steel