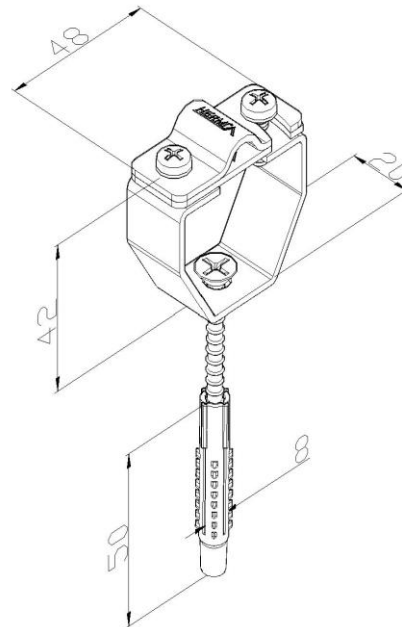


Product: ZON03

Product code: 20327

Wall conductor fastener



<b>Standard:</b>	EN 62561-4:2017: Lightning protection system components (LPSC) - Part 4: Requirements for conductor fasteners
<b>Dimensions:</b>	Length: 48 mm
	Width: 20 mm
	Height: 42 mm
	Conductor diameter: $\phi 8-10$ mm
	Screw length: 50 mm
	Wall plug diameter: $\phi 8$ mm
<b>Material:</b>	Weight: 0,08 kg
	Acid-resistant stainless steel