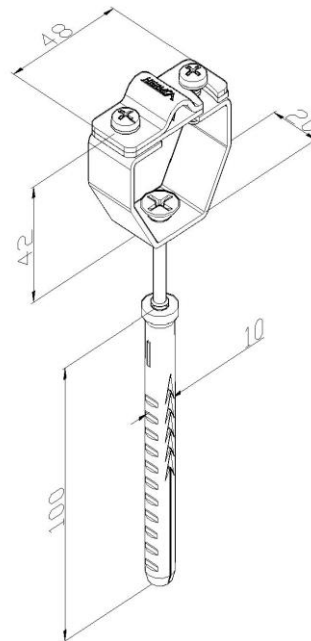


Product: ZON02 brown

Product code: 202010

Wall conductor fastener



| | |
|--------------------|---|
| Standard: | EN 62561-4:2017: Lightning protection system components (LPSC) - Part 4: Requirements for conductor fasteners |
| Dimensions: | Length: 48 mm |
| | Width: 20 mm |
| | Height: 42 mm |
| | Conductor diameter: $\phi 8-10$ mm |
| | Screw length: 100 mm |
| | Wall plug diameter: $\phi 10$ mm |
| Weight: | 0,08 kg |
| Material: | Stainless steel/resistant synthetic material |