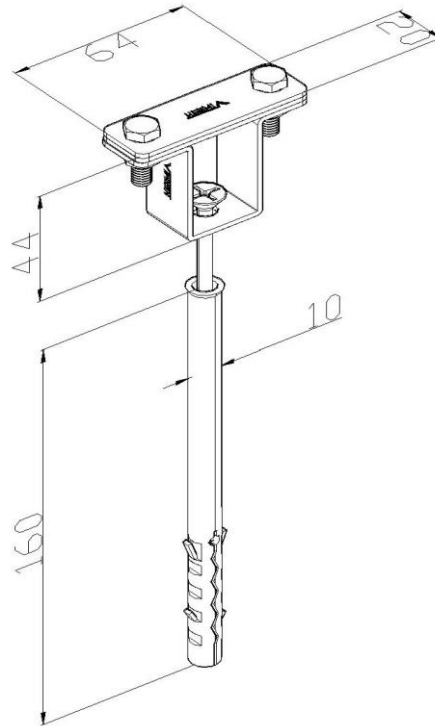


Product: ZON01

Product code: 201251

Wall conductor fastener



Standard:	EN 62561-4:2017: Lightning protection system components (LPSC) - Part 4: Requirements for conductor fasteners
Dimensions:	Length: 64 mm
	Width: 20 mm
	Height: 44 mm
	Conductor diameter: P up to 40x4
	Screw length: 160 mm
	Wall plug diameter: $\phi 10$ mm
Weight:	0,11 kg
Material:	Stainless steel