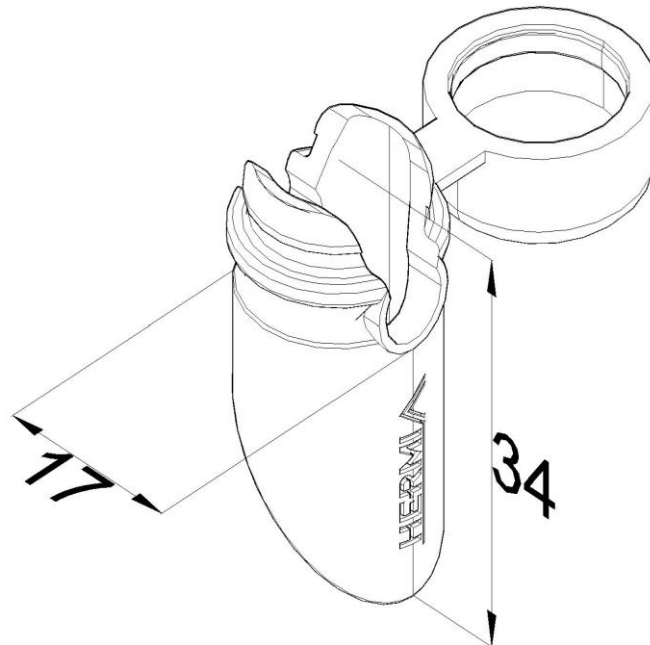


Product: KON21

Product code: 200214

Contact clamp for lightning conductor



Standard:	EN 62561-1:2017: Lightning Protection System Components (LPSC) - Part 1: Requirements for connection components
Dimensions:	Length: 17 mm
	Width: 17 mm
	Height: 34 mm
	Weight: 0,06 kg
	Conductor dimensions 1: $\phi 8$ mm
	Conductor dimensions 2:
Material:	nylon – UV resistant
Withstand lightning current class:	N