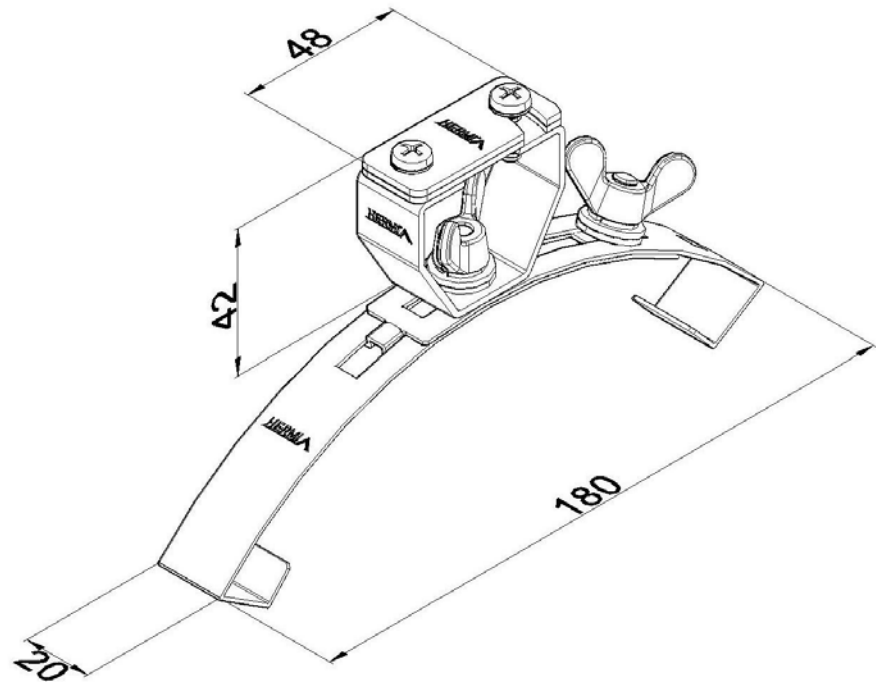


Product: SON49

Product code: 14925

Roof conductor fastener



Standard:	EN 62561-4:2017: Lightning protection system components (LPSC) - Part 4: Requirements for conductor fastener
Dimensions:	Length: 180 mm
	Width: 20 mm
	Height: 42 mm
	Conductor diameter: P 20x3
Material:	Stainless steel