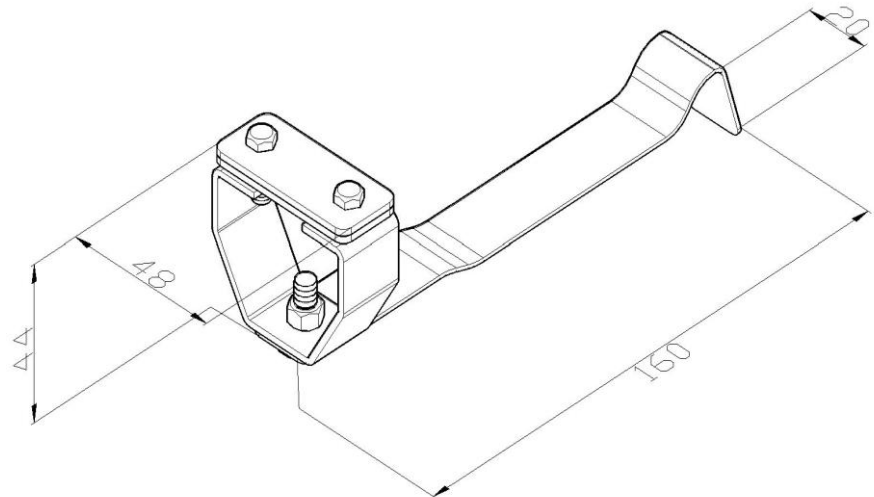


Product: SON47

Product code: 14725

Roof conductor fastener



Standard:	EN 62561-4:2017: Lightning protection system components (LPSC) - Part 4: Requirements for conductor fastener
Dimensions:	Length: 160 mm
	Width: 48 mm
	Height: 44 mm
	Conductor diameter: P 20x3
	Weight: 0,09 kg
Material:	Stainless steel