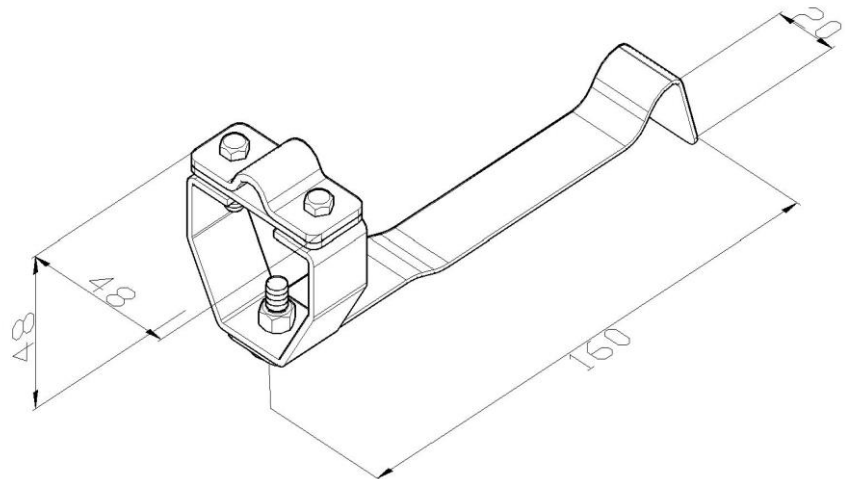


Product: SON47

Product code: 14724

Roof conductor fastener



| | |
|--------------------|--|
| Standard: | EN 62561-4:2017: Lightning protection system components (LPSC) - Part 4: Requirements for conductor fastener |
| Dimensions: | Length: 160 mm |
| | Width: 48 mm |
| | Height: 48 mm |
| | Conductor diameter: ϕ 8-10 mm |
| | Weight: 0,11 kg |
| Material: | Stainless steel |