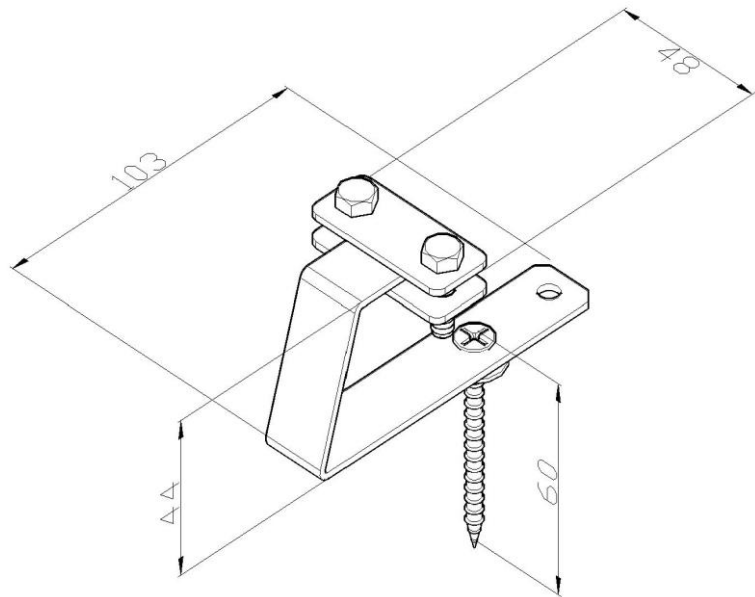


**Product:** SON14

**Product code:** 1425

Roof conductor fastener



<b>Standard:</b>	EN 62561-4:2017: Lightning protection system components (LPSC) - Part 4: Requirements for conductor fastener
<b>Dimensions:</b>	Length: 103 mm
	Width: 48 mm
	Height: 44 mm
	Conductor diameter: P 20x3 mm
	Weight:
<b>Material:</b>	Stainless steel