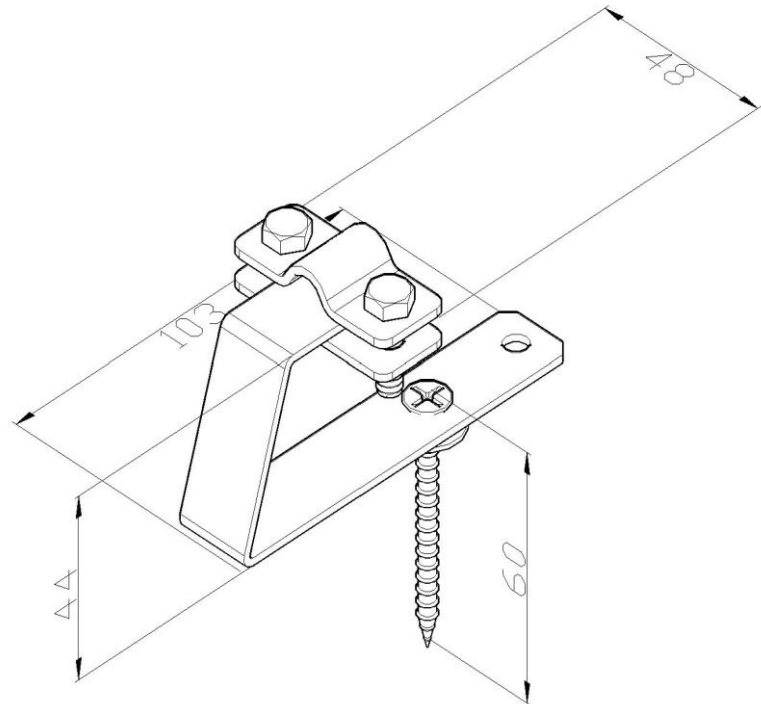


Product: SON14

Product code: 1408

Roof conductor fastener



<b>Standard:</b>	EN 62561-4:2017: Lightning protection system components (LPSC) - Part 4: Requirements for conductor fastener
<b>Dimensions:</b>	Length: 103 mm
	Width: 48 mm
	Height: 44 mm
	Conductor diameter: $\phi 8$ mm
<b>Weight:</b>	
<b>Material:</b>	Copper