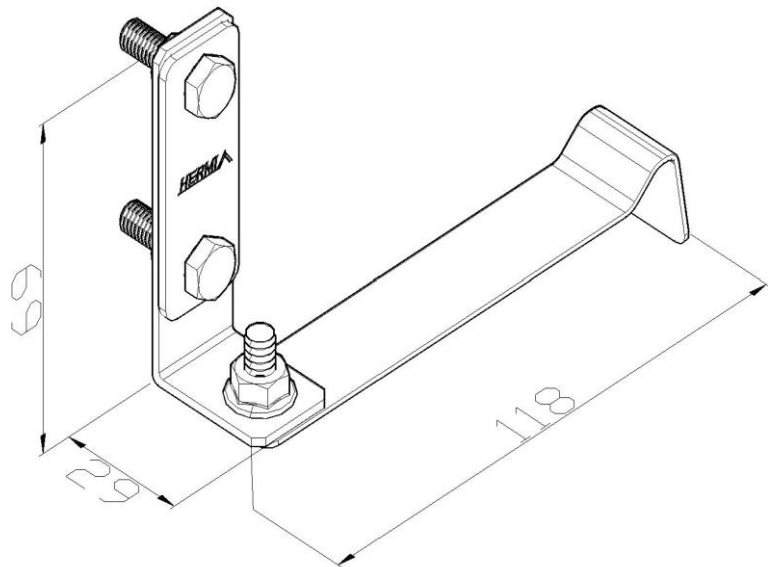


Product: SON26

Product code: 12625

Roof conductor fastener



Standard:	EN 62561-4:2017: Lightning protection system components (LPSC) - Part 4: Requirements for conductor fastener
Dimensions:	Length: 118 mm
	Width: 29 mm
	Height: 69 mm
	Conductor diameter: 20x3
Material:	Stainless steel