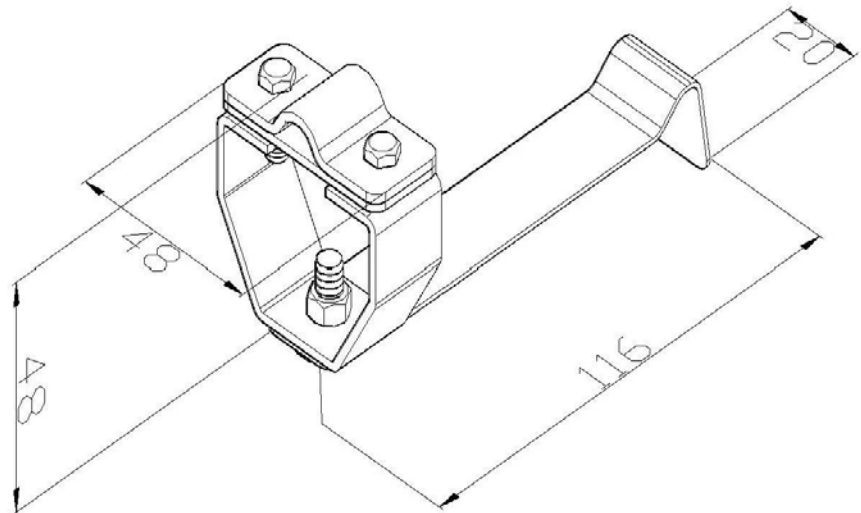


Product: SON26

Product code: 12624

Roof conductor fastener



Standard:	EN 62561-4:2017: Lightning protection system components (LPSC) - Part 4: Requirements for conductor fastener
Dimensions:	Length: 116 mm
	Width: 48 mm
	Height: 48 mm
	Conductor diameter: $\phi 8-10$ mm
Material:	Stainless steel