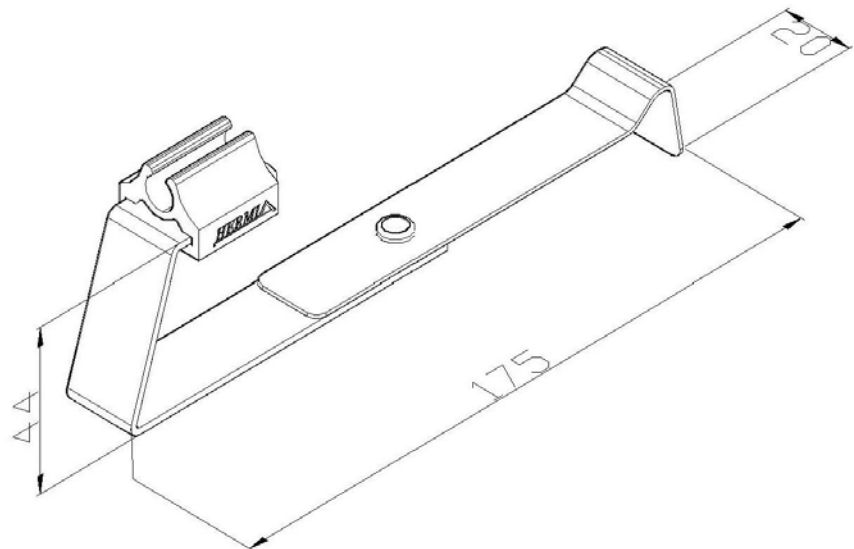


**Product:** SON26

**Product code:** 12607

Roof conductor fastener



<b>Standard:</b>	EN 62561-4:2017: Lightning protection system components (LPSC) - Part 4: Requirements for conductor fastener
<b>Dimensions:</b>	Length: 175 mm
	Width: 20 mm
	Height: 44 mm
	Conductor diameter: $\phi 8$ mm
<b>Material:</b>	Copper - nylon