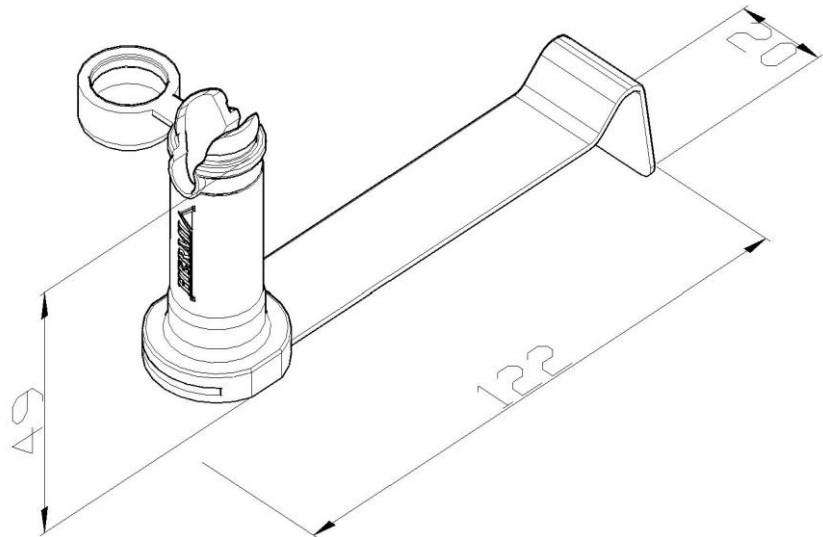


Product: SON26

Product code: 12603

Roof conductor fastener



| | |
|--------------------|--|
| Standard: | EN 62561-4:2017: Lightning protection system components (LPSC) - Part 4: Requirements for conductor fastener |
| Dimensions: | Length: 122 mm |
| | Width: 20 mm |
| | Height: 49 mm |
| | Conductor diameter: $\phi 8$ mm |
| Material: | Stainless steel - nylon |