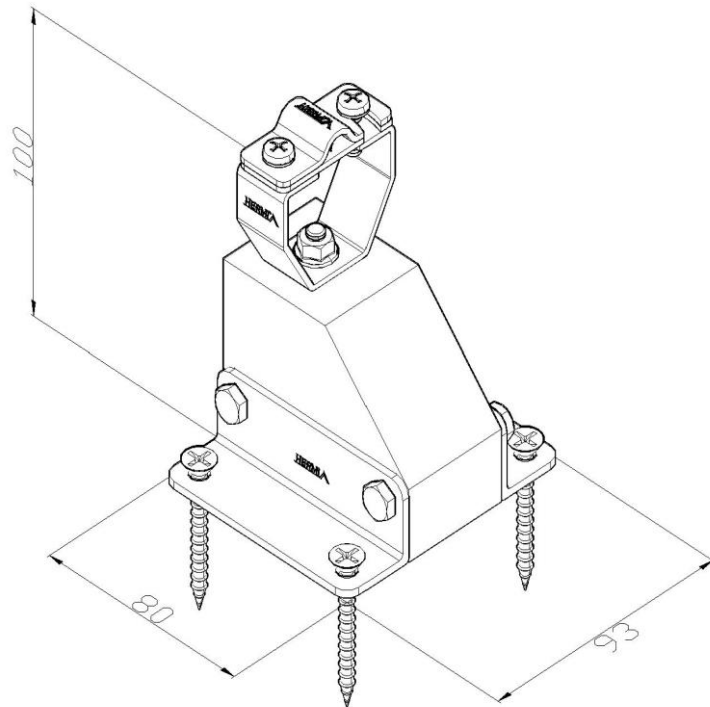


Product: SON20 L-B

Product code: 12034

Roof conductor fastener



<b>Standard:</b>	EN 62561-4:2017: Lightning protection system components (LPSC) - Part 4: Requirements for conductor fastener
<b>Dimensions:</b>	Length: 80 mm
	Width: 93 mm
	Height: 100 mm
	Conductor diameter: $\phi$ 8-10 mm
	Weight: 0,38 kg
<b>Material:</b>	Wood - stainless steel