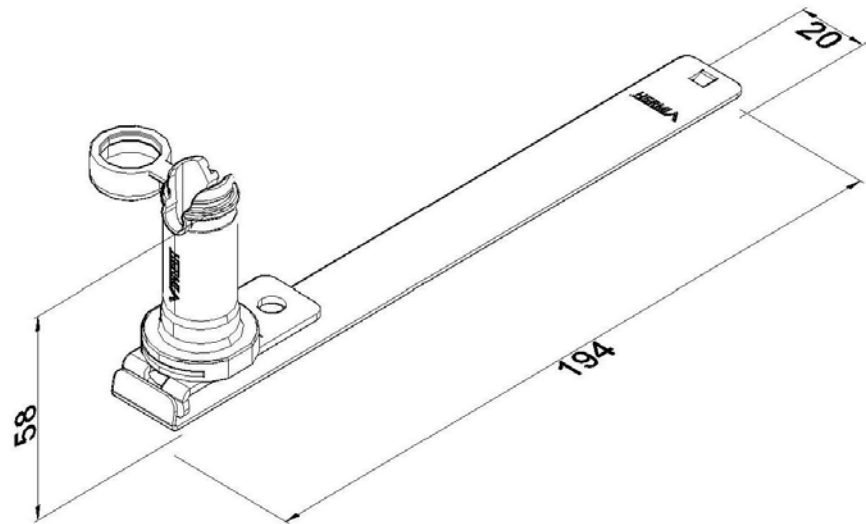


Product: SON18 A grey

Product code: 11831

Roof conductor fastener



Standard:	EN 62561-4:2017: Lightning protection system components (LPSC) - Part 4: Requirements for conductor fastener
Dimensions:	Length: 194 mm
	Width: 20 mm
	Height: 58 mm
	Conductor diameter: $\phi 8$ mm
Material:	Stainless steel - nylon