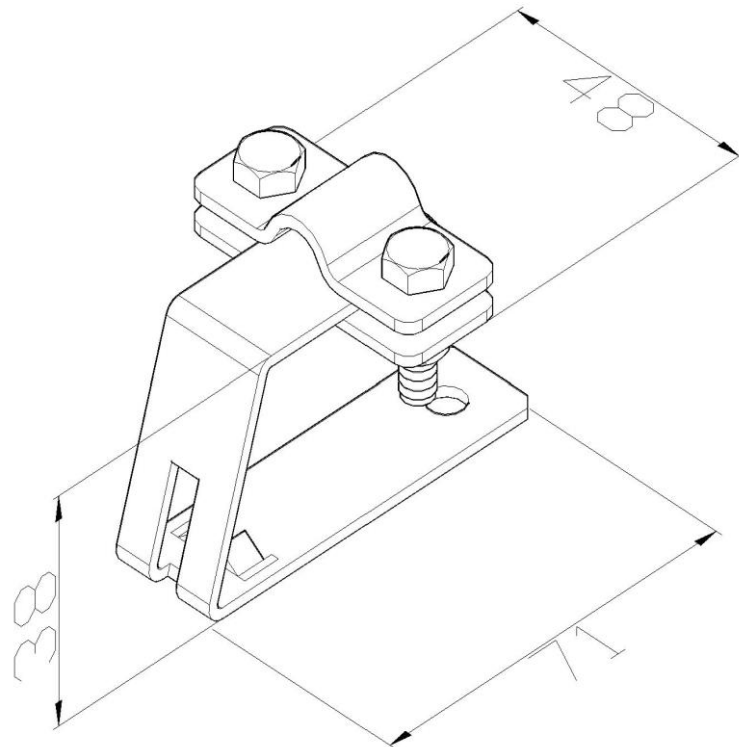


Product: SON18

Product code: 11824

Roof conductor fastener



Standard:	EN 62561-4:2017: Lightning protection system components (LPSC) - Part 4: Requirements for conductor fastener
Dimensions:	Length: 71 mm
	Width: 48 mm
	Height: 38 mm
	Conductor diameter: $\phi 8-10$ mm
	Weight: 0,07 kg
Material:	Stainless steel