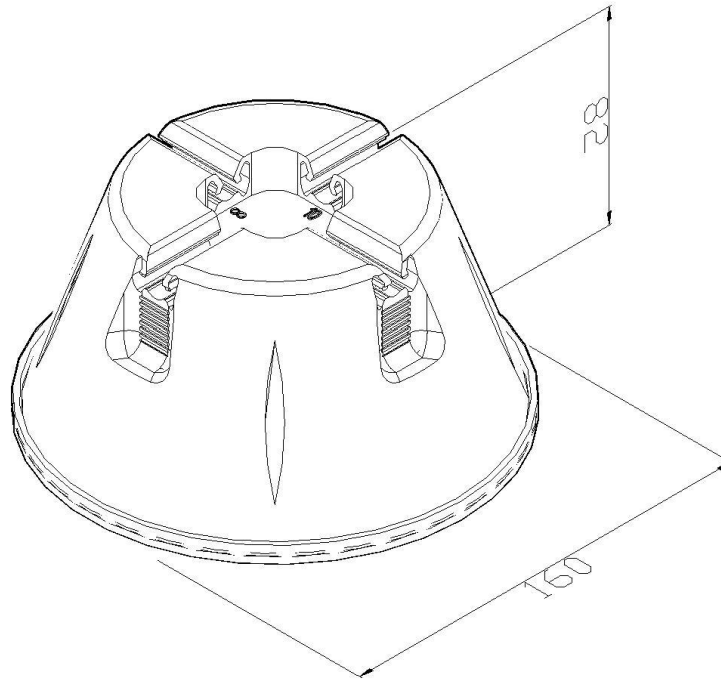


Product: SON17 B PP

Product code: 117235

Roof conductor fastener filled with concrete



| | |
|--------------------|--|
| Standard: | EN 62561-4:2017: Lightning protection system components (LPSC) - Part 4: Requirements for conductor fastener |
| Dimensions: | Length: 160 mm |
| | Width: 160 mm |
| | Height: 82 mm |
| | Conductor diameter: ϕ 8-10 mm |
| | Weight: 1,1 kg |
| Material: | Polypropylen |