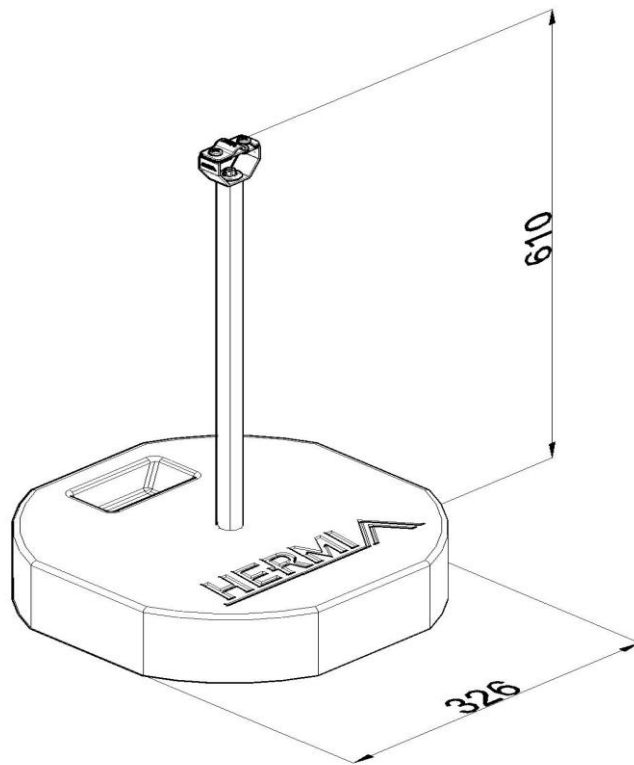


Product: SON17 D

Product code: 117232

Roof conductor fastener



Standard:	EN 62561-4:2017: Lightning protection system components (LPSC) - Part 4: Requirements for conductor fastener
Dimensions:	Length:
	Width: 326 mm
	Height: 610 mm
	Conductor diameter: ϕ 8-10 mm
	Weight: 18,5 kg
Material:	Stainless steel - resistant synthetic material - concrete