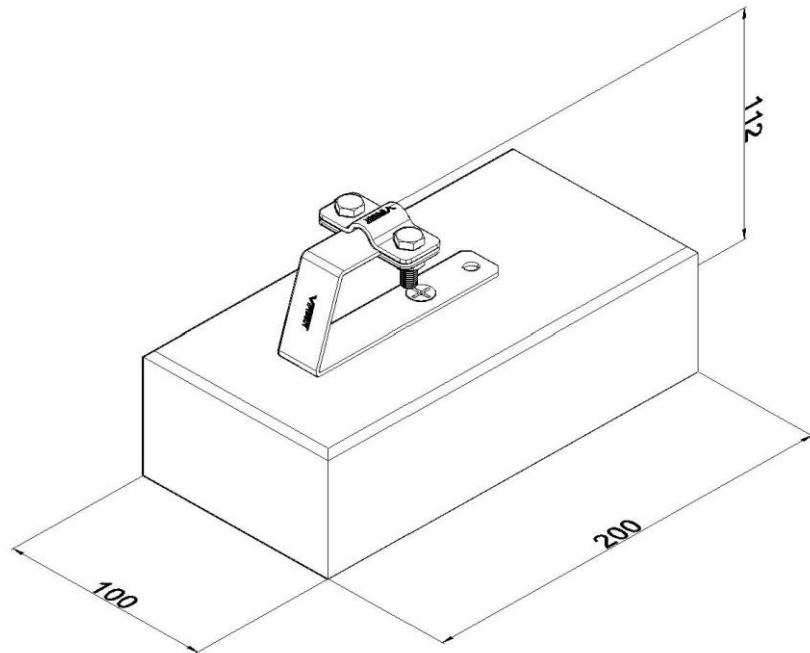


**Product:** SON17

**Product code:** 11708

Roof conductor fastener



<b>Standard:</b>	EN 62561-4:2017: Lightning protection system components (LPSC) - Part 4: Requirements for conductor fastener
<b>Dimensions:</b>	Length: 200 mm
	Width: 100 mm
	Height: 112 mm
	Conductor diameter: $\phi 8$ mm
	Weight:
<b>Material:</b>	Concrete - copper