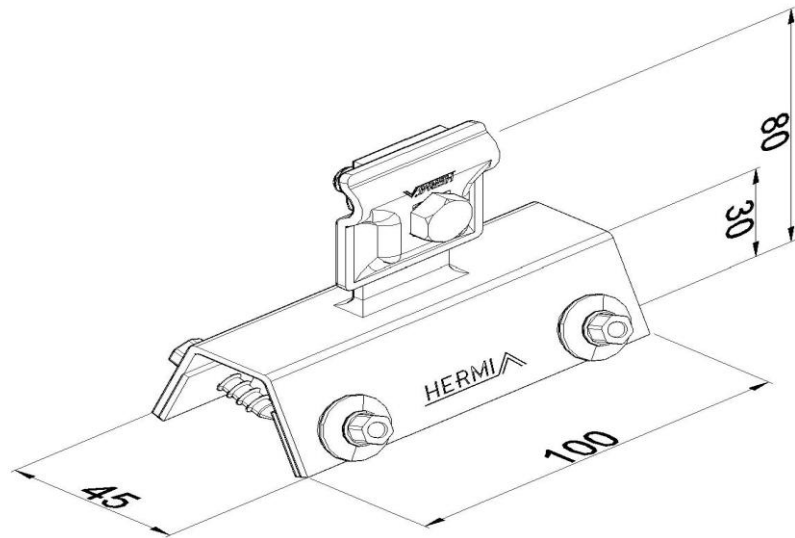


Product: SON16 E

Product code: 116228

Roof conductor fastener



<b>Standard:</b>	EN 62561-4:2017: Lightning protection system components (LPSC) - Part 4: Requirements for conductor fastener
<b>Dimensions:</b>	Length: 100 mm
	Width: 45 mm
	Height: 80 mm
	Conductor diameter: $\phi$ 8-10 mm
<b>Material:</b>	Stainless steel