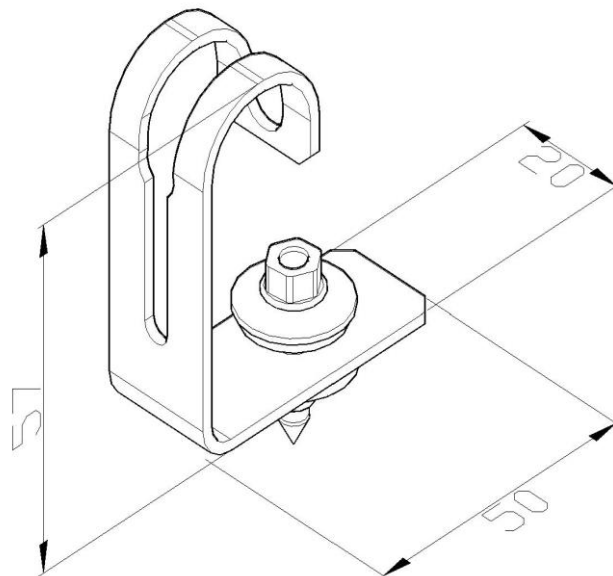


**Product:** SON16

**Product code:** 11621

Roof conductor fastener



|                    |  |
|--------------------|--|
| <b>Standard:</b>   | EN 62561-4:2017: Lightning protection system components (LPSC) - Part 4: Requirements for conductor fastener |
| <b>Dimensions:</b> | Length: 50 mm  |
|                    | Width: 20 mm   |
|                    | Height: 57 mm  |
|                    | Conductor diameter: $\phi 8$ mm  |
|                    | Weight: 0,03 kg  |
| <b>Material:</b>   | Stainless steel  |