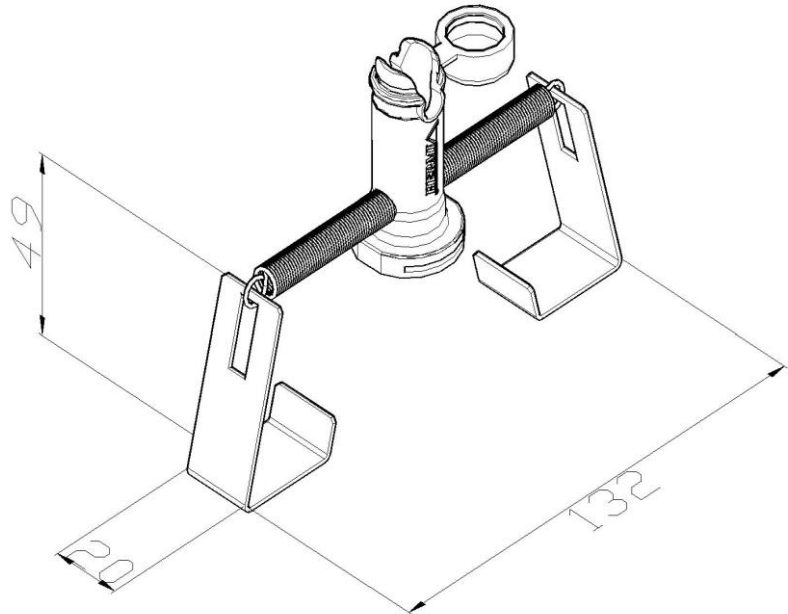


Product: SON01 brick red

Product code: 11303

Roof ridge conductor fastener



Standard:	EN 62561-4:2017: Lightning protection system components (LPSC) - Part 4: Requirements for conductor fasteners
Dimensions:	Length: 132 mm
	Width: 20 mm
	Height: 49 mm
	Conductor diameter: $\phi 8$ mm
Material:	Copper - nylon