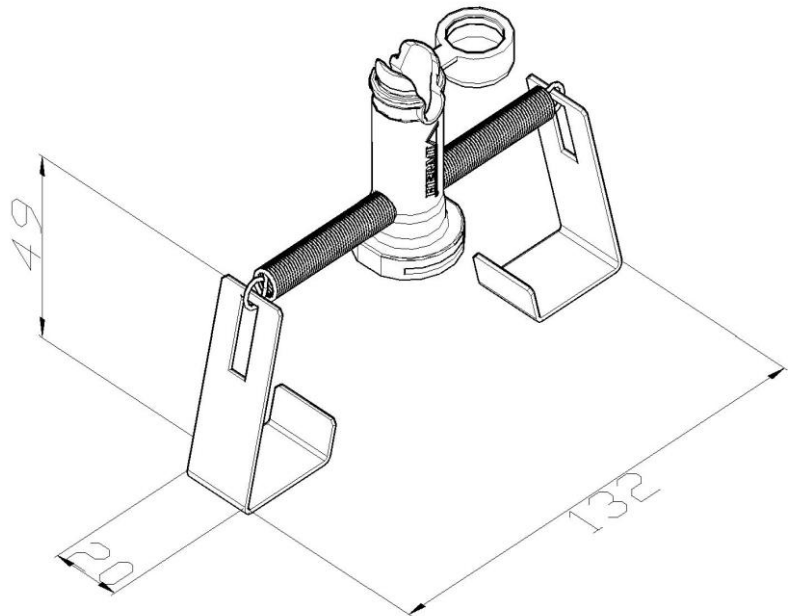


Product: SON01 brown

Product code: 11302

Roof ridge conductor fastener



| | |
|--------------------|---|
| Standard: | EN 62561-4:2017: Lightning protection system components (LPSC) - Part 4: Requirements for conductor fasteners |
| Dimensions: | Length: 132 mm |
| | Width: 20 mm |
| | Height: 49 mm |
| | Conductor diameter: $\phi 8$ mm |
| Material: | Copper - nylon |