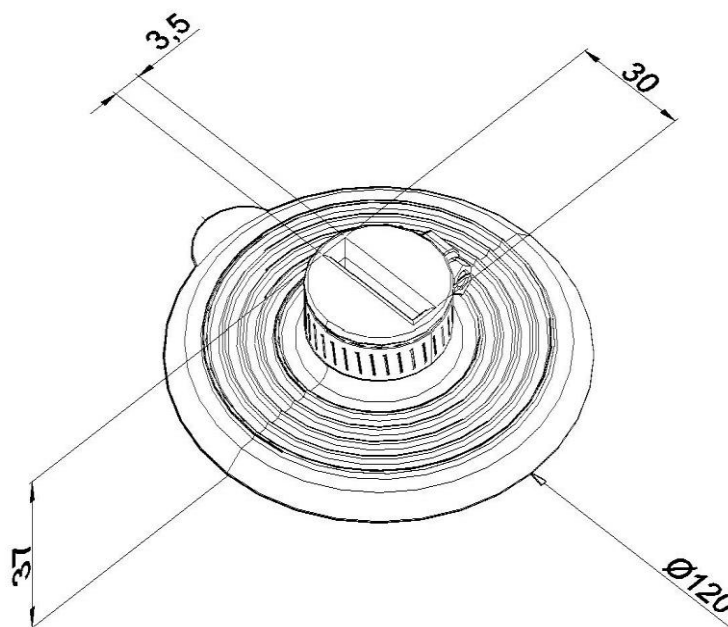


Product: VTB Sealing collar

Product code: 110044

Sealing collar



Standard:	EN IEC 62561-2:2018 : Lightning Protection System Components (LPSC) - Part 2: Requirements for conductors and earth electrodes
Dimensions:	Length: 120 mm
	Width: 120 mm
	Height: 37 mm
	Diameter:
	Conductor dimensions: 30x3,5 mm
	Weight: 0,17 kg
Material:	