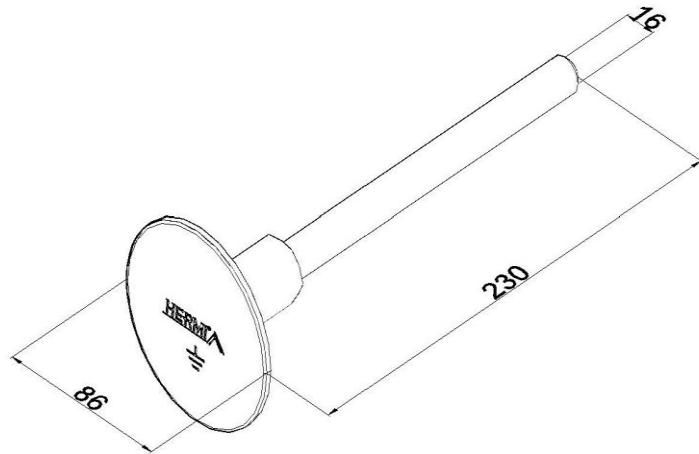


Product: KON30

Product code: 110029

Bonding conector



| | |
|--------------------|--|
| Standard: | EN IEC 62561-2:2018 : Lightning Protection System Components (LPSC) - Part 2: Requirements for conductors and earth electrodes |
| Dimensions: | Length: 230 mm |
| | Width: 86 mm |
| | Height: |
| | Diameter: 16 mm |
| | Conductor dimensions: |
| | Weight: 0,23 kg |
| Material: | Acid-resistant stainless steel |