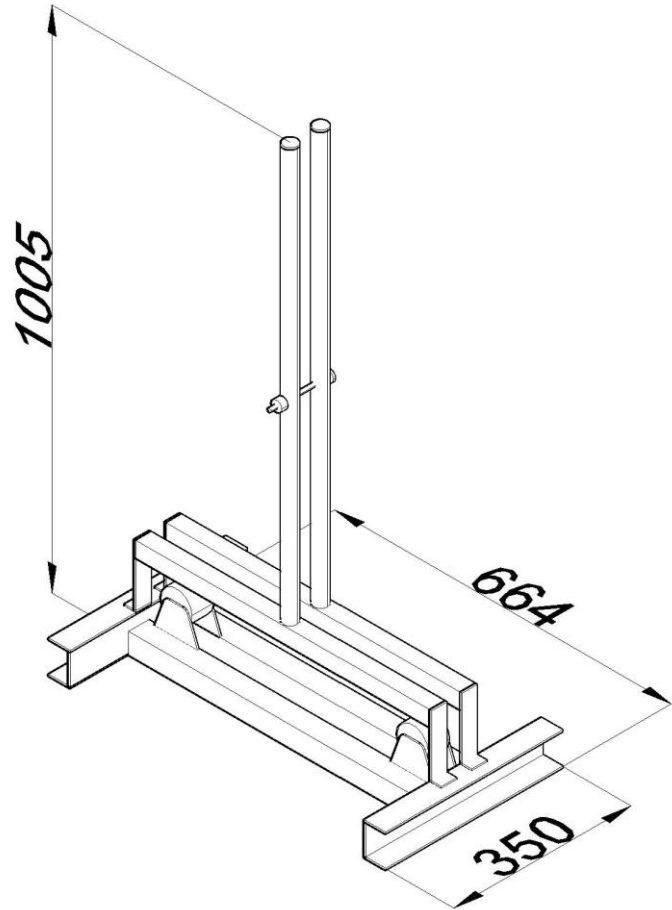


Product: ROT

Product code: 110026

Unwinding device



Dimensions:	Length: 664 mm
	Width: 350 mm
	Height: 1005 mm
	Weight: 14 kg
	Conductor dimensions: P 25 - 45 mm
Material:	Steel