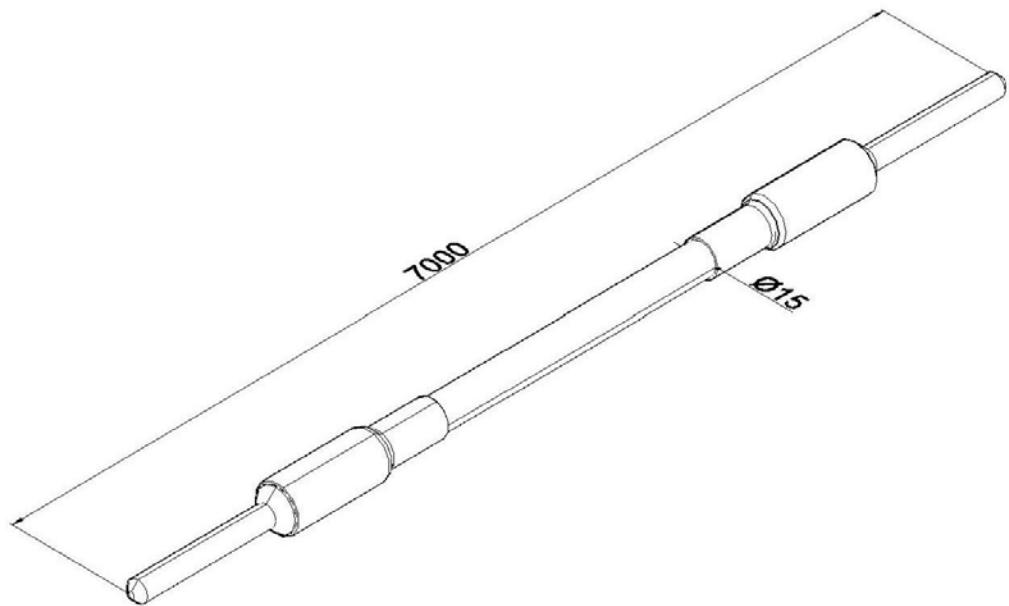


Product: ISVH 7,0

Product code: 100107



Standard:	EN IEC 62561-2:2018: Lightning Protection System Components (LPSC) - Part 2: Requirements for conductors and earth electrodes
Dimensions:	Length: 7 m
	Width:
	Height:
	Diameter: $\phi 15$ mm
	Weight:
Material:	