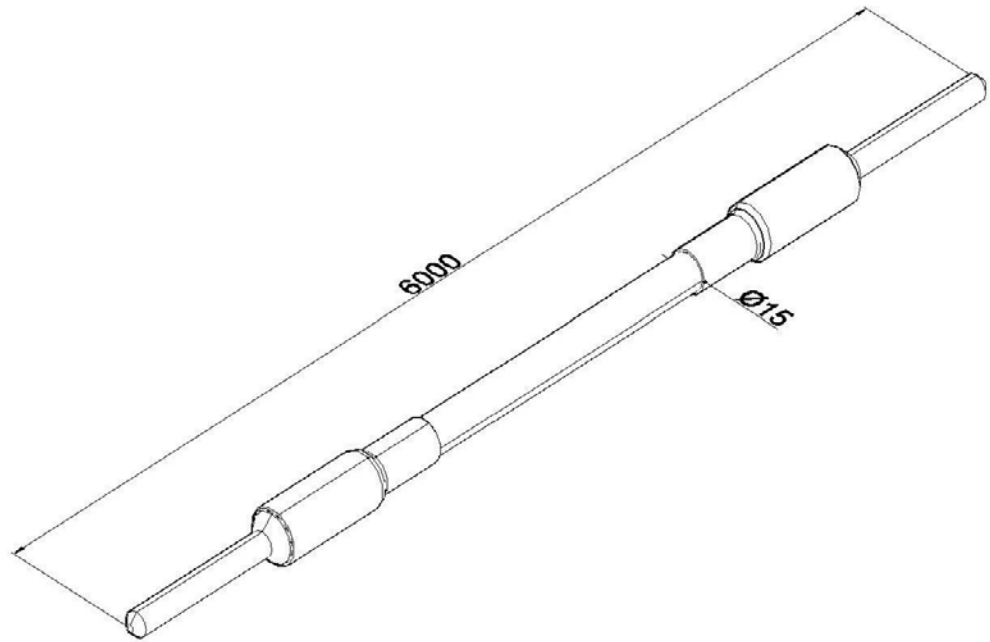


Product: ISVH 6,0

Product code: 100106



| | |
|--------------------|---|
| Standard: | EN IEC 62561-2:2018: Lightning Protection System Components (LPSC) - Part 2: Requirements for conductors and earth electrodes |
| Dimensions: | Length: 6 m |
| | Width: |
| | Height: |
| | Diameter: ϕ 15 mm |
| | Weight: |
| Material: | |