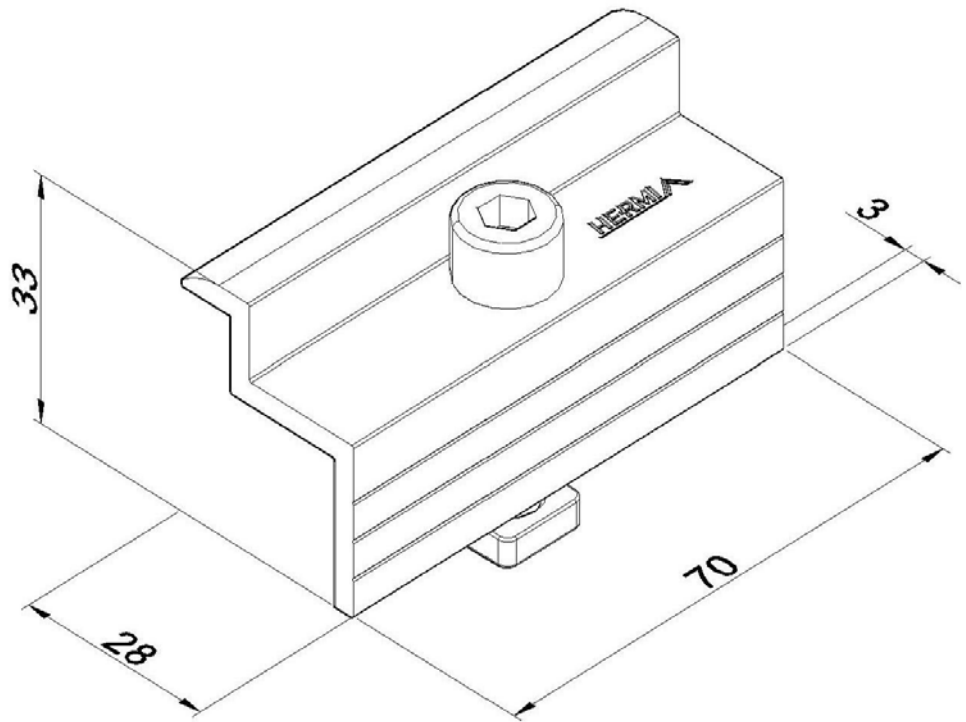


Product: SOL - S02B

Product code: 88000269

End module clamp



| | |
|--------------------|--------------------------|
| Dimensions: | Length: 70 mm |
| | Width: 28 mm |
| | Height: 33 mm |
| | Material thickness: 3 mm |
| | Weigh: 0,053 kg |
| Material: | Aluminium-PVC |