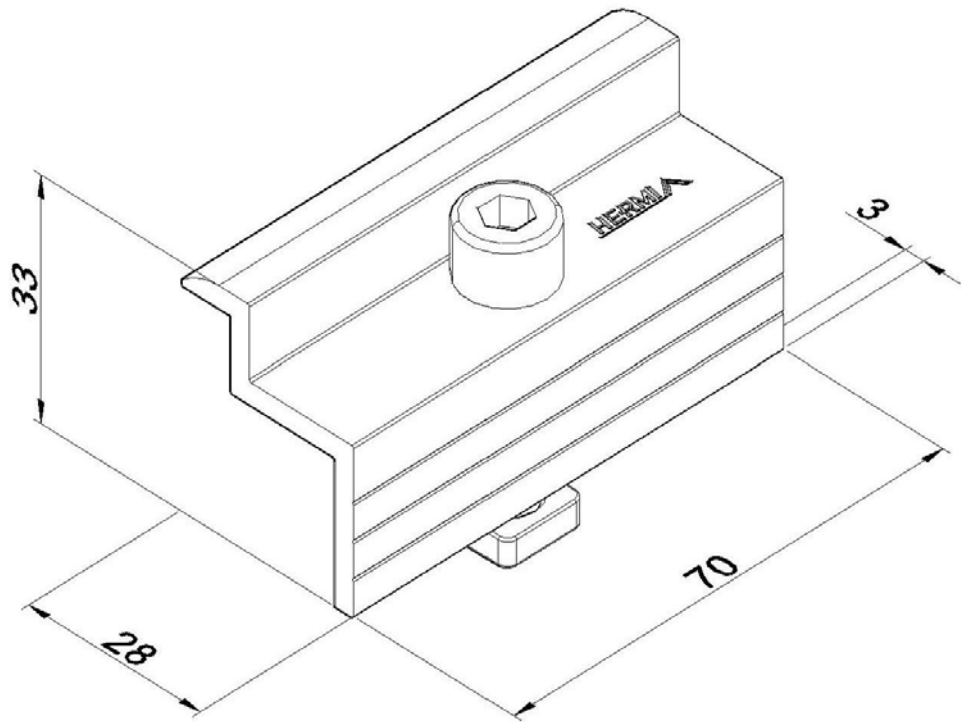


Product: SOL - S02B

Product code: 88000268

End module clamp



Dimensions:	Length: 70 mm
	Width: 28 mm
	Height: 33 mm
	Material thickness: 3 mm
	Weigh:
Material:	Aluminium