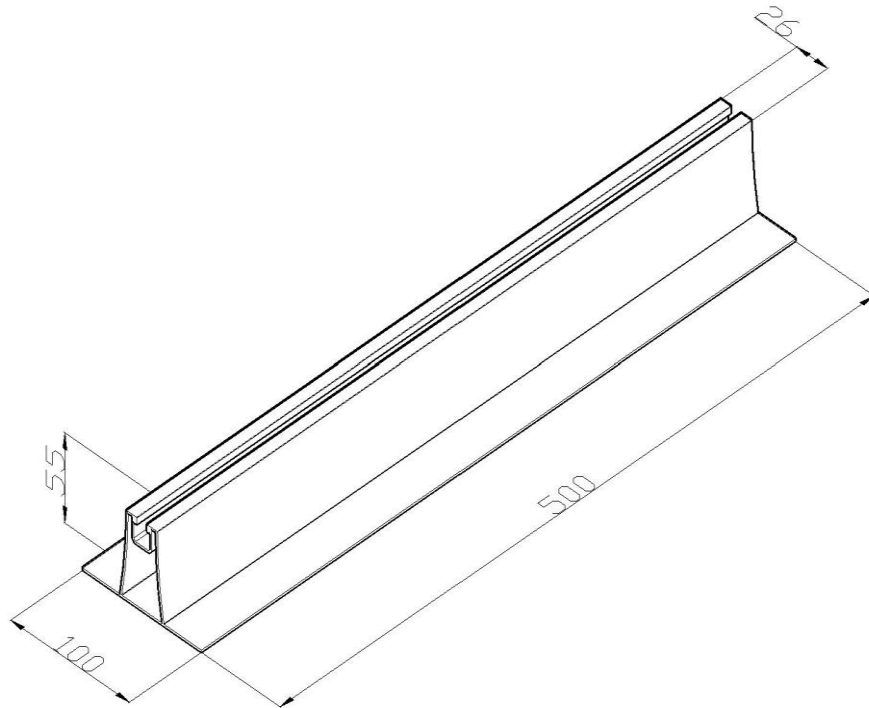


Product: SOL-N16-P

Product code: 88000079

A mounting profile



Dimensions:	Length: 500 mm
	Width: 100 mm
	Height: 55 mm
	Material thickness: 1,4 mm
	Weigh: 0,47 kg
Material:	Aluminium