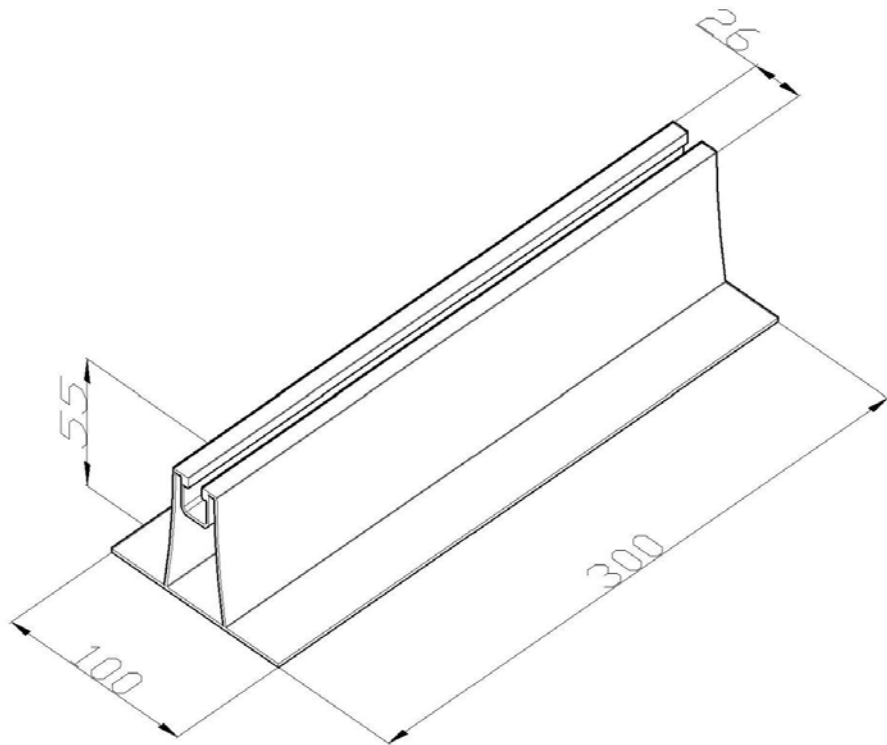


**Product:** SOL-N16-P

**Product code:** 88000077

A mounting profile



<b>Dimensions:</b>	Length: 300 mm
	Width: 100 mm
	Height: 55 mm
	Material thickness: 1,4 mm
	Weigh:
<b>Material:</b>	Aluminium