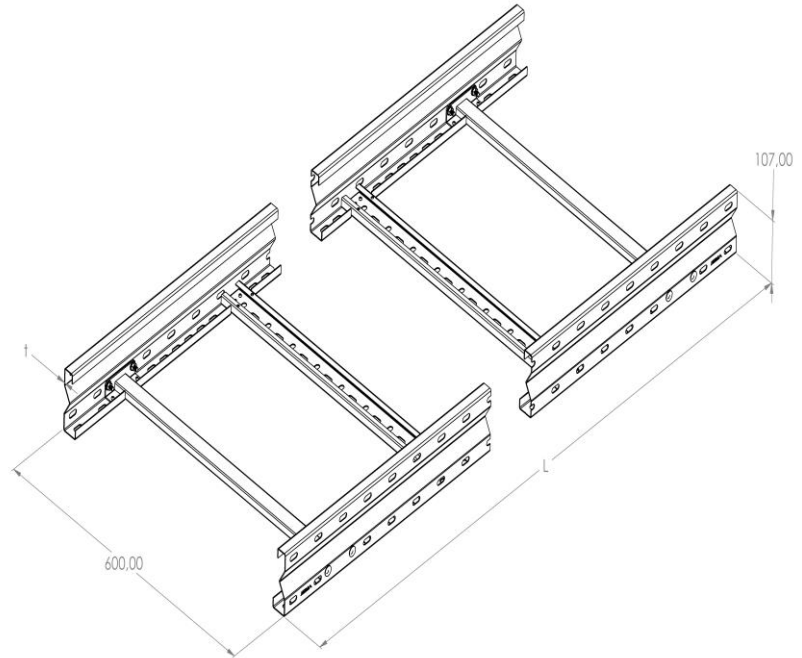


Product: KL HD 100/600

Product code: 88728016

"HEAVY DUTY" cable ladders of 100 mm in height



Standard:	EN 61537:2007 Cable management - Cable tray systems and cable ladder systems
Dimensions:	Length: 6000 mm
	Width: 600 mm
	Height: 107 mm
	Metal thickness: 1,5 mm
Weight:	36 kg
Material:	Stainless steel
Contribution to fire:	Non-flame propagating system
Electrical characteristics:	Electrically conductive system
Electrical continuity:	Yes
Corrosion resistance:	Class 9A
Perforation:	Class Y
Temperature:	Min: -20°C; Max: +105°C

Permissible load KL HD 100/600 d=1,5mm (kN/m)

