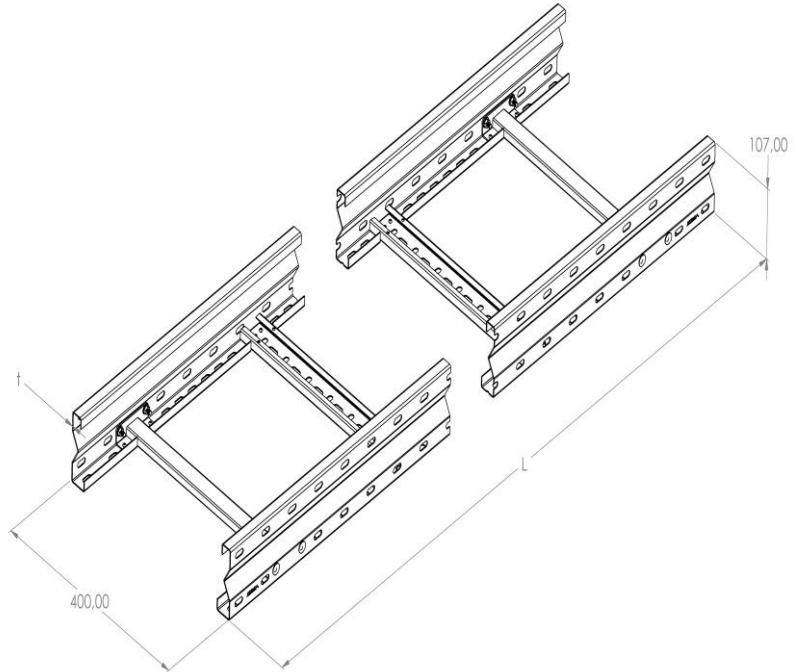


Product: KL HD 100/400

Product code: 88728014

"HEAVY DUTY" cable ladders of 100 mm in height



Standard:	EN 61537:2007 Cable management - Cable tray systems and cable ladder systems
Dimensions:	Length: 6000 mm
	Width: 400 mm
	Height: 107 mm
	Metal thickness: 1,5 mm
Weight:	32,00 kg
Material:	Stainless steel
Contribution to fire:	Non-flame propagating system
Electrical characteristics:	Electrically conductive system
Electrical continuity:	Yes
Corrosion resistance:	Class 9A
Perforation:	Class Y
Temperature:	Min: -20°C; Max: +105°C