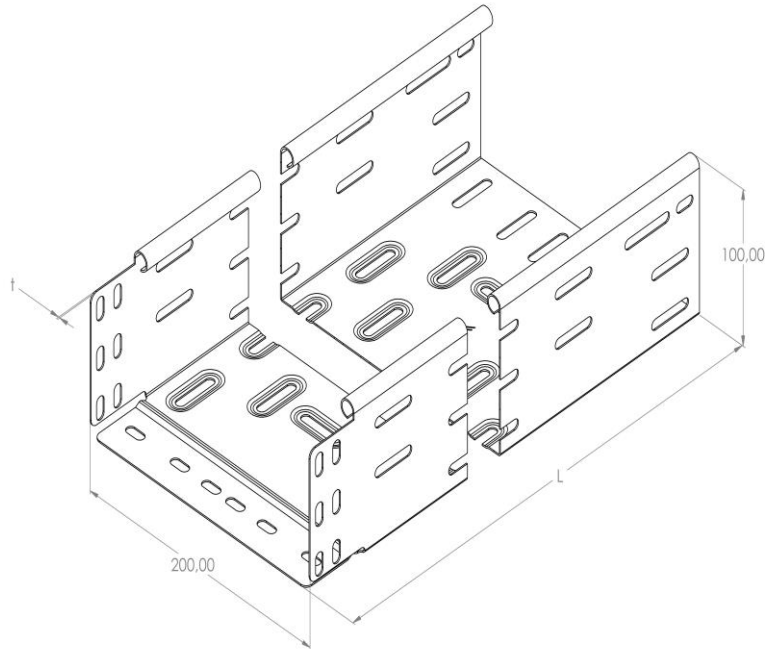


Product: KP 100/200

Product code: 88726122

Cable trays of 100 mm in height



Standard:	EN 61537:2007 Cable management - Cable tray systems and cable ladder systems
Dimensions:	Length: 2000 mm
	Width: 200 mm
	Height: 100 mm
	Metal thickness: 0,80 mm
Weight:	6 kg
Material:	Hot-dip galvanised steel
Contribution to fire:	Non-flame propagating system
Electrical characteristics:	Electrically conductive system
Electrical continuity:	Yes
Corrosion resistance:	Class 6
Perforation:	Class B
Temperature:	Min: -20°C; Max: +105°C

Permissible load KP 100/200 d=0,8mm (kN/m)

