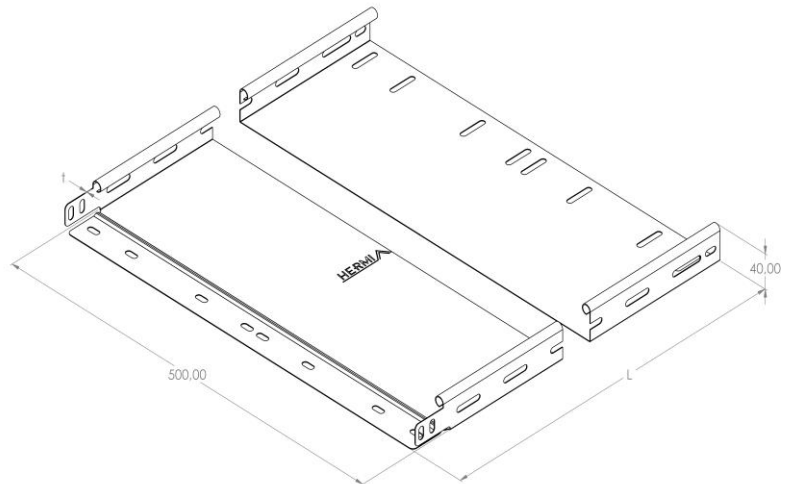


Product: KPU 40/500

Product code: 88726045

Non-perforated cable trays of 40 mm in height



| | |
|------------------------------------|------------------------------------------------------------------------------|
| Standard: | EN 61537:2007 Cable management - Cable tray systems and cable ladder systems |
| Dimensions: | Length: 2000 mm |
| | Width: 500 mm |
| | Height: 40 mm |
| | Metal thickness: 0,80 mm |
| Weight: | |
| Material: | Hot-dip galvanised steel |
| Contribution to fire: | Non-flame propagating system |
| Electrical characteristics: | Electrically conductive system |
| Electrical continuity: | Yes |
| Corrosion resistance: | Class 6 |
| Perforation: | Class B |
| Temperature: | Min: -20°C; Max: +105°C |

Permissible load KP 40/500 d=0,8mm (kN/m)

