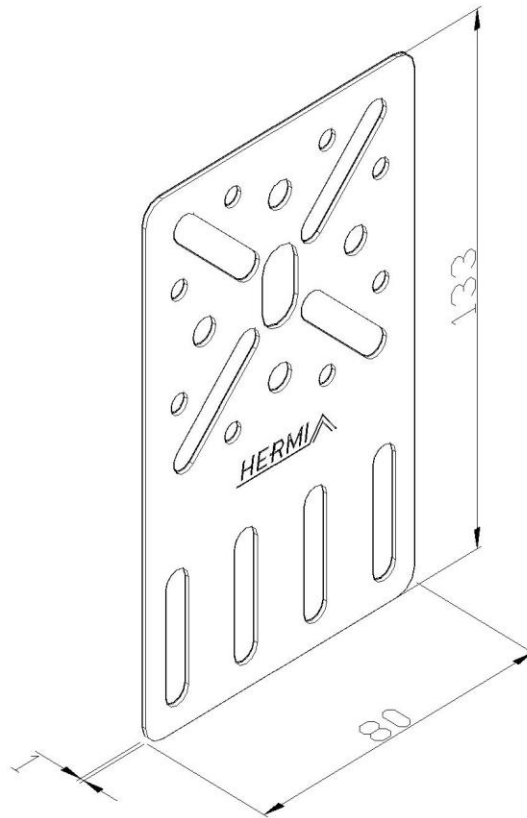


Product: NKP-ND

Product code: 88718902

Socket holder



Standard:	EN 61537:2007 Cable management - Cable tray systems and cable ladder systems
Dimensions:	Length: 80 mm
	Width: 1 mm
	Height: 133 mm
	Metal thickness: 1 mm
Maximum load:	
Weight:	0,12 kg
Material:	Hot-dip galvanised steel
Contribution to fire:	Non-flame propagating system
Electrical characteristics:	Electrically conductive system
Electrical continuity:	Yes
Corrosion resistance:	Class 6
Temperature:	Min: -20°C; Max: +105°C