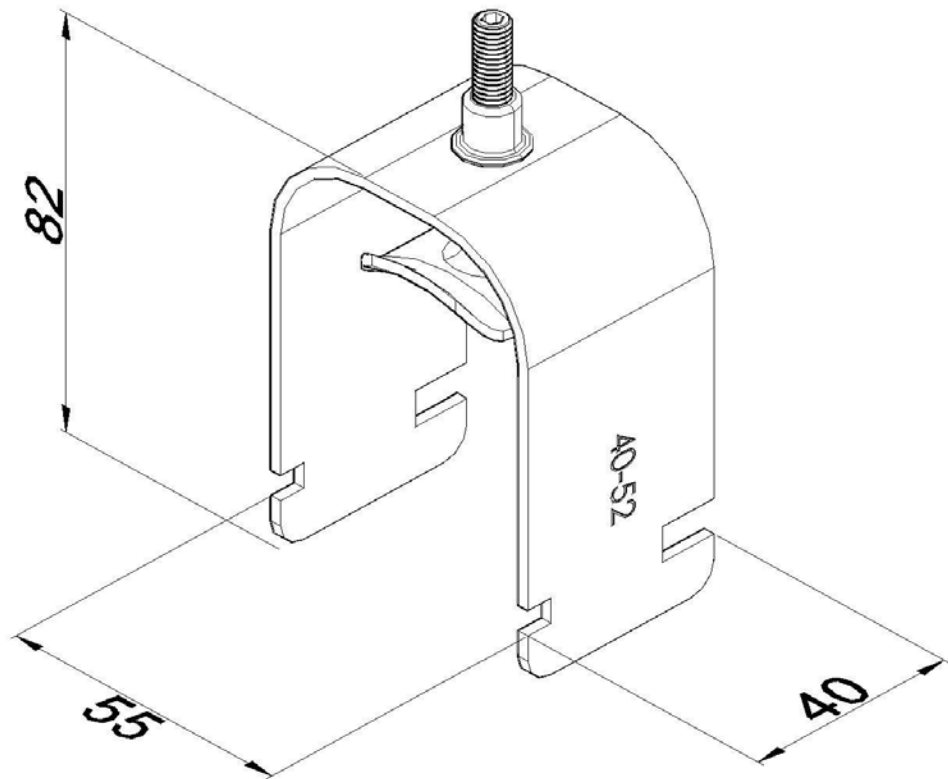


Product: PKL-KOB05 40-52

Product code: 88717022

Cable clamp



Standard:	EN 61537:2007 Cable management - Cable tray systems and cable ladder systems
Dimensions:	Length: 55 mm
	Width: Conductor width 40-52 mm
	Height: 82 mm
	Metal thickness: 2 mm
Weight:	0,11 kg
Material:	Hot-dip galvanised steel
Contribution to fire:	Non-flame propagating system
Electrical characteristics:	Electrically conductive system
Electrical continuity:	Yes
Corrosion resistance:	Class 6
Temperature:	Min: -20°C; Max: +105°C