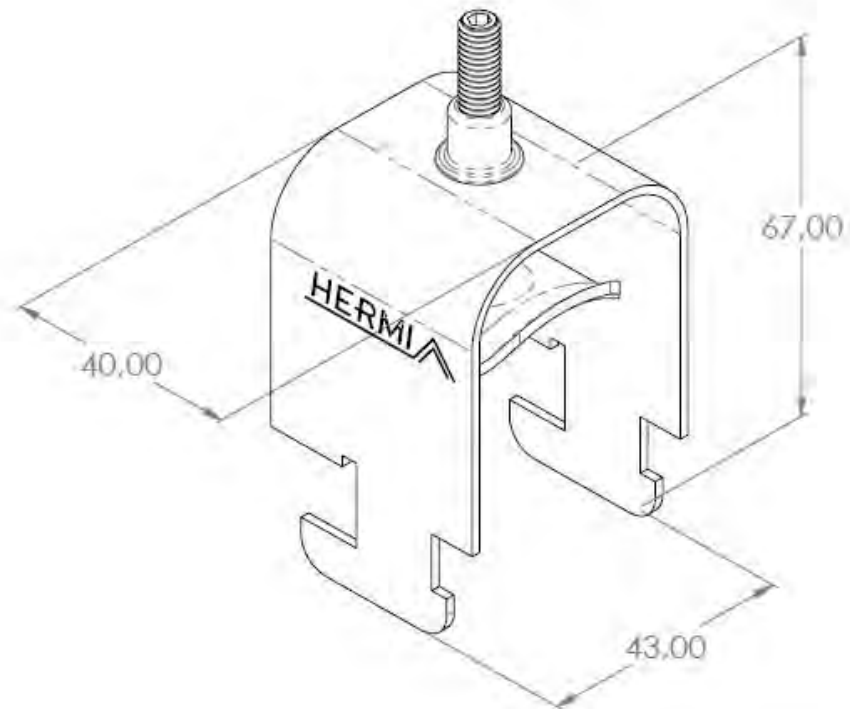


Product: PKL-KOB05 41 28-40

Product code: 88712021

Cable clamp



|                                    |  |
|------------------------------------|--|
| <b>Standard:</b>                   | EN 61537:2007 Cable management - Cable tray systems and cable ladder systems |
| <b>Dimensions:</b>                 | Length: 40 mm  |
|                                    | Width: Conductor width 28-40 mm  |
|                                    | Height: 67 mm  |
|                                    | Metal thickness: mm  |
| <b>Weight:</b>                     | 0,09 kg  |
| <b>Material:</b>                   | Galvanised steel   |
| <b>Contribution to fire:</b>       | Non-flame propagating system   |
| <b>Electrical characteristics:</b> | Electrically conductive system   |
| <b>Electrical continuity:</b>      | Yes  |
| <b>Corrosion resistance:</b>       | Class 3  |
| <b>Temperature:</b>                | Min: -20°C; Max: +105°C  |